

Technical Data Sheet



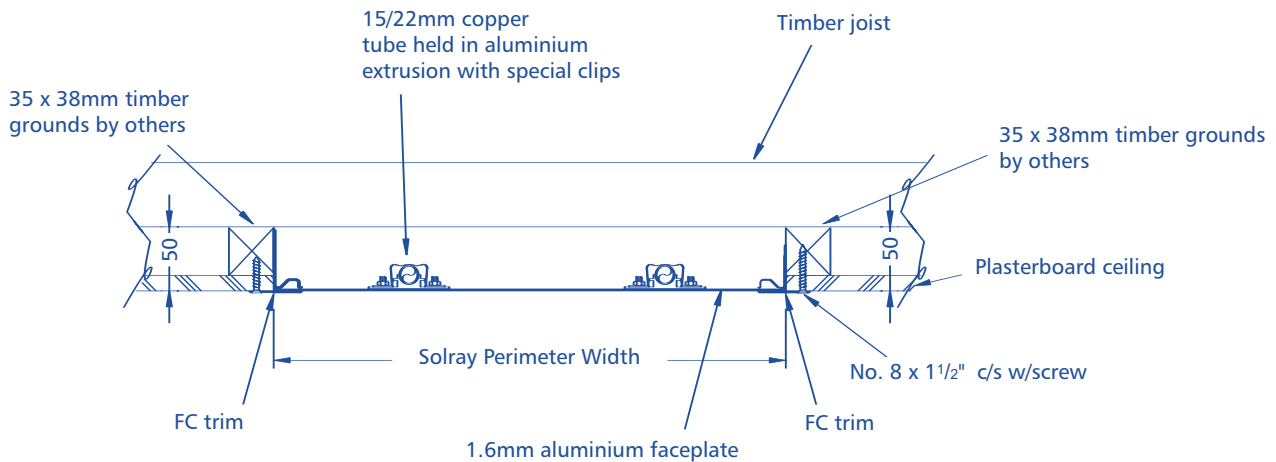
Radiant Heating & Cooling Panels

Solray Recessed ND3540:FF

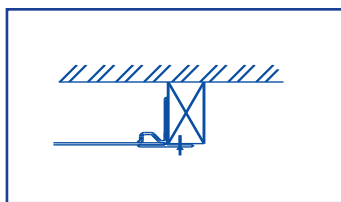
350mm - 400mm Wide

Flush Fitting, Aluminium Faceplate

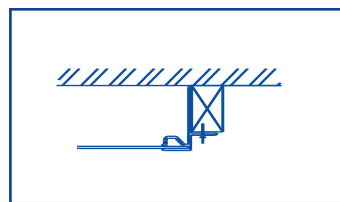
Data Sheet 2-7



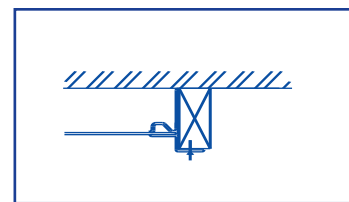
Typical Section Detail



WITH FC TRIM



WITH RC TRIM



WITH DC TRIM

Alternative Trims

NOTES

- Panels finished in a primer for final painting on site by others with the first coat being applied prior to installation, or in a factory applied textured powdercoat to any standard colour.
- Panels insulated with 50mm glass fibre class 'o' backed mattress.
- Wall trims mill finished for final painting on site by others.
- Wall trim fixed with No.7 x 1 1/4" countersunk wood screws.
- Connections to be 75mm long copper tails. Timber grounds by others to be level, straight & securely fixed. Mass of 400mm Solray Perimeter is 6.5kg/m.

COMYN CHING & CO. (SOLRAY) LTD

SOLRAY WORKS, MANILLA STREET, DOCKLANDS, LONDON E14 8LG

TEL: 020 7987 8787 FAX: 020 7987 9898

WWW.SOLRAY.CO.UK E-MAIL: SALES@SOLRAY.CO.UK